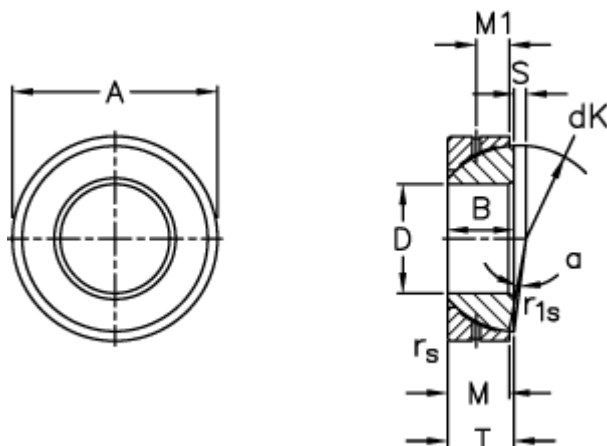


Article number: 03509100

Description: Fluro Rod end GE 100SX

Measures



A	= 150 0 -0,020	S	= 11.6
B	= 32	Static load C0 (kN)	= 1760
D	= 100 0 -0,020	T	= 32 +0,25 -0,60
dK	= 141	Tilt angle	= 0.5
Dynamic load C (kN)	= 350	Weight	= 2340
M	= 31		
M1	= 16		
rs, r1s min	= 1.5		